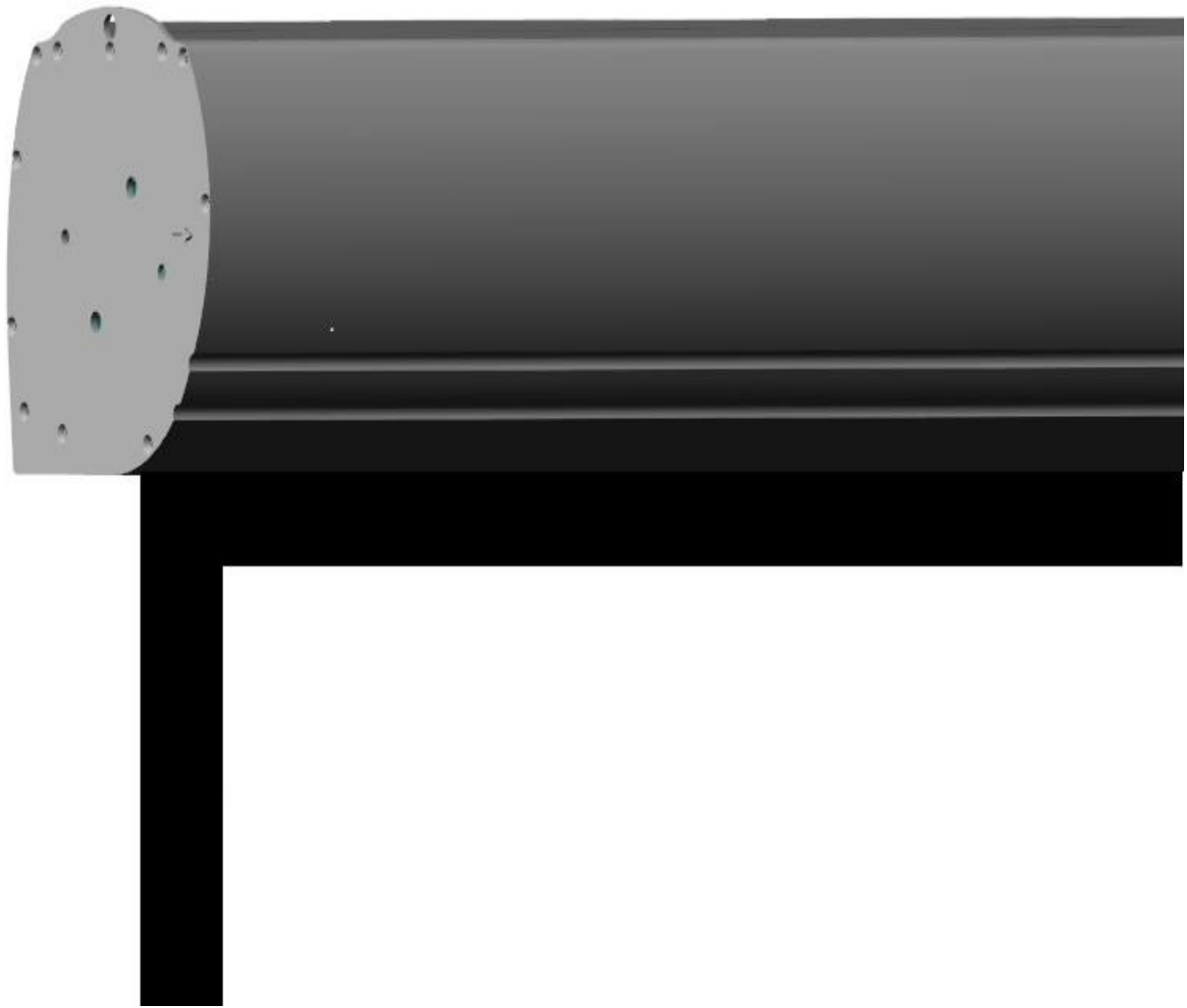


PROJECTION SCREEN INSTALLATION MANUAL



BLUE LABEL XL



Blue Label is a series of electrical projection screens with aluminum housings. Their timeless design and a broad selection of projection screen materials make them the screen of choice for home cinema and conference room applications. In the *Tensioned* version, the screen is additionally equipped with a set of tensioners improving flatness of the projection surface.

IMPORTANT!!!
INSTALLATION AND APPLICATION GUIDELINES

1. The housing and lower beam of the screen are protected against mechanical damage with polyurethane foam. Do not remove the main housing protection before step 4 and the lower beam protection before step 6 of this assembly and installation manual.
2. The screen shall be installed away from humidity and direct source of strong sunlight.
3. Use a soft damp cloth to clean the screen. Do not use active cleaning chemicals. Protect the screen assembly from penetration of water or other liquids inside the housing. Carefully wipe the screen dry after cleaning, to remove any moisture.

Content of the set:	Qty.
Projection screen	1
Mounting bracket for ceiling installation (flat)	2
Mounting bracket for wall installation (angle)	2
Ø14 rawlplug for wall installation	8
Ø10 rawlplug for ceiling installation	8
M6x12 screw	8
M6 washer	8
L-shaped screen locking and safety bar	4
Chain (screen installation aid)	2
Screen limit position adjustment key	1
Wall-mounted control switch panel (accessible for screens without built-in wireless controller)	1

INSTALLATION

1. Within 20 cm from the edges of the housing, fit the mounting brackets to the wall or ceiling (see Figure 1). Dimensions of the housing are provided at the end of this manual, in the „Technical Specifications” section.



Figure 1

2. Depending on the installation option, fit the wall brackets using the Ø14 rawlplugs provided in the kit (Figure 2a) or the ceiling brackets using the Ø10 rawlplugs (Figure 2b).

NOTE! The rawlplugs and screws supplied in the installation kit can only be used for structural ceiling materials (concrete, Suporex or other similar materials). Shall the screen be mounted on other types of material, choose appropriate plugs and screws.

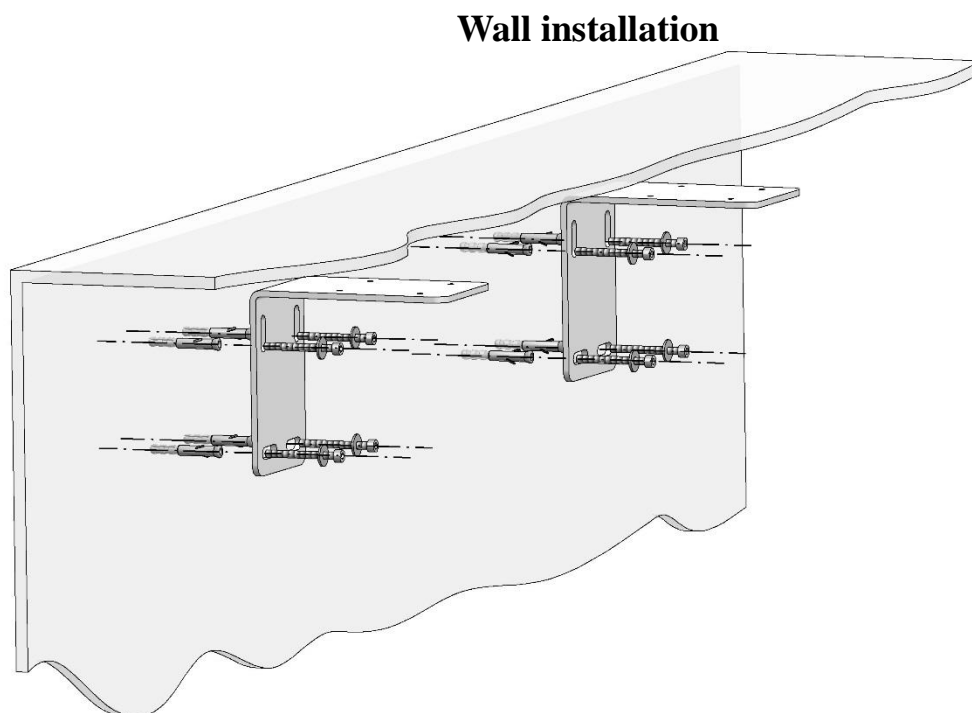


Figure 2a

Ceiling installation

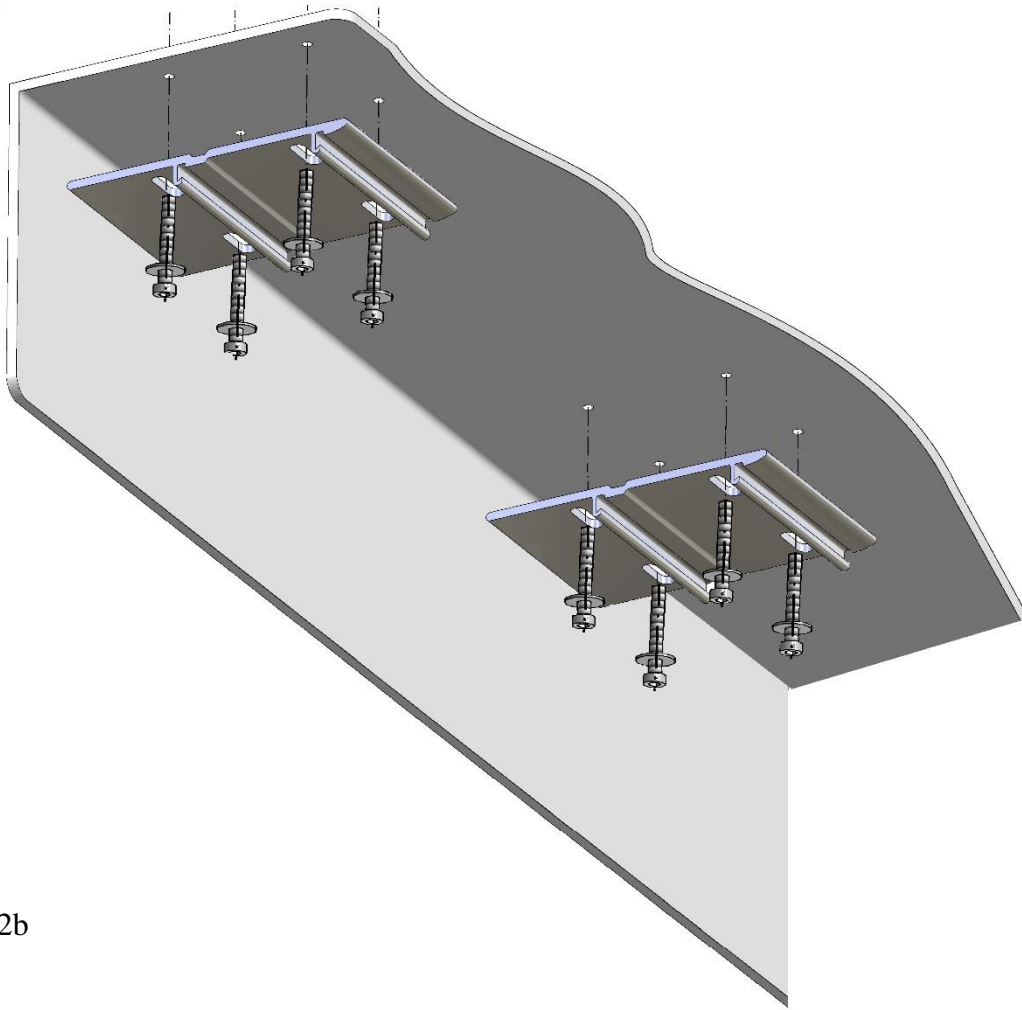


Figure 2b

3. In case of wall installation, assemble the flat and angle brackets using the screws supplied in the installation kit.

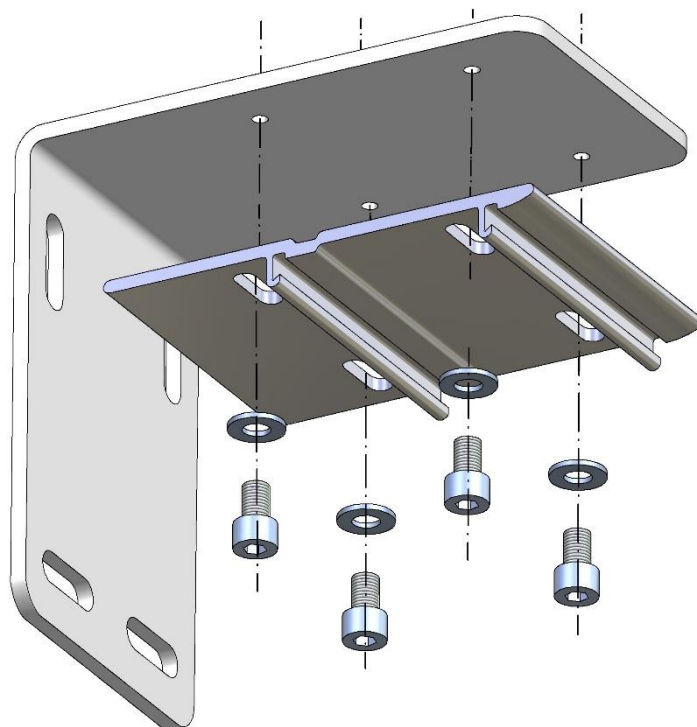


Figure 3

4. Fit the screen housing on the brackets. Use the chains to lift and hold the screen housing. Remove the chains after installation.

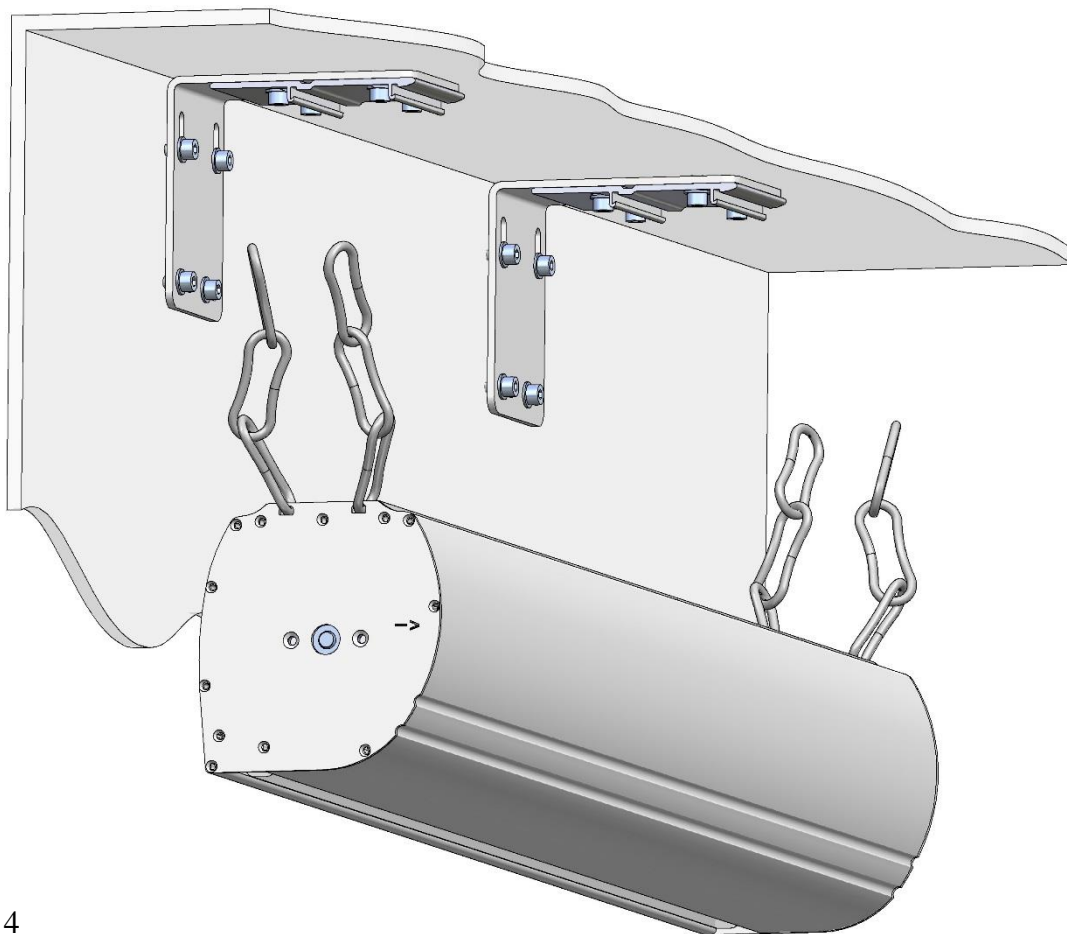


Figure 4

5. The bracket mounting system is shown in the figures below. Fitment of the screen can be described in three steps:
:

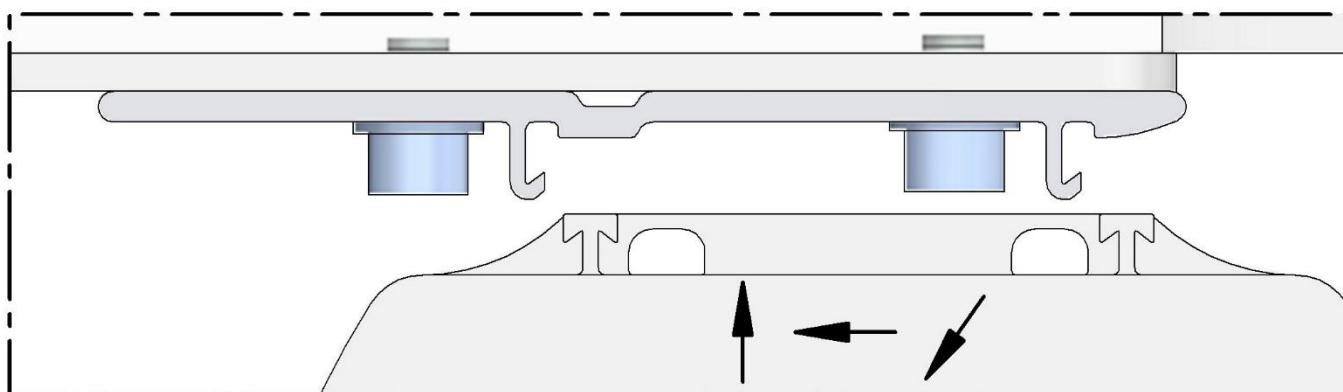


Figure 5

STEP 1

Lift the screen housing all the way up, pushing it against the mounting brackets.

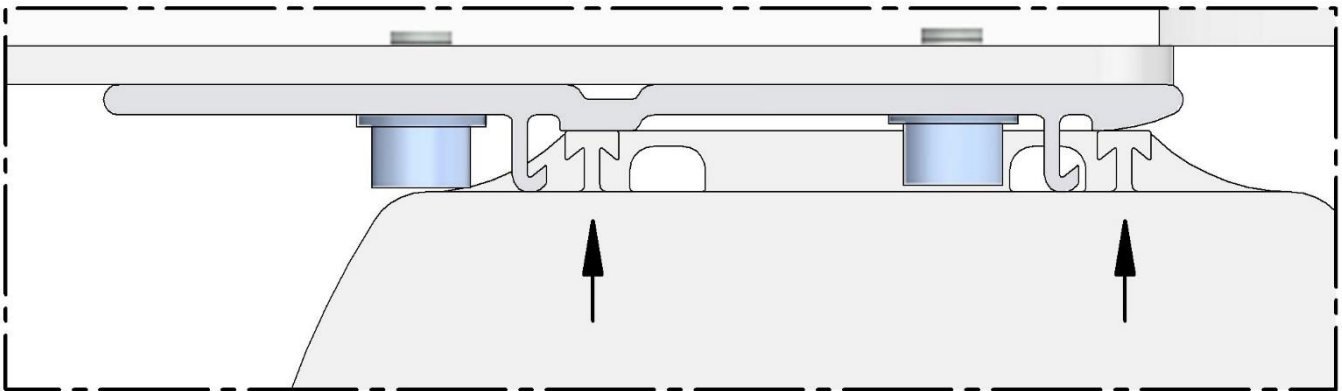
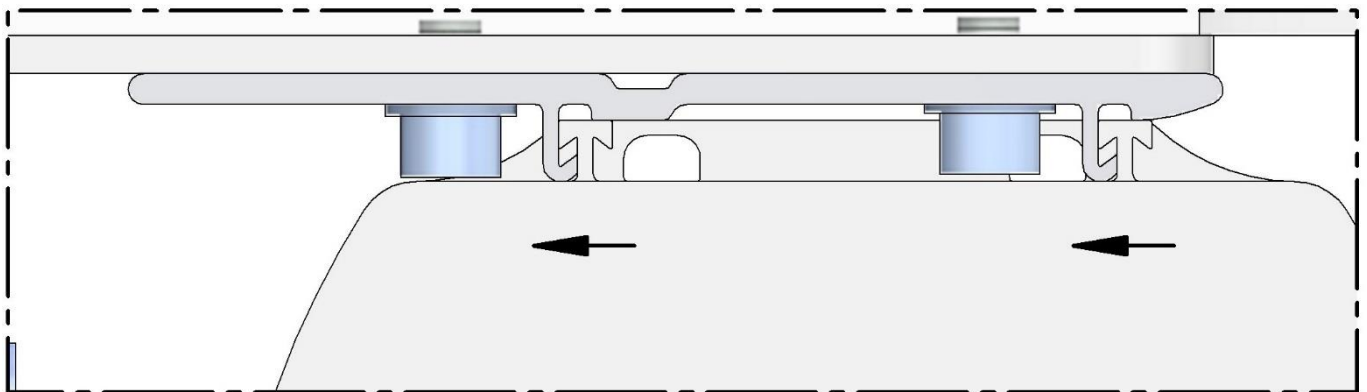


Figure 6

STEP 2

Slide the screen sideways, towards the bracket hooks.



Rys.7

STEP 3

Lower the screen housing to hang on the hooks.

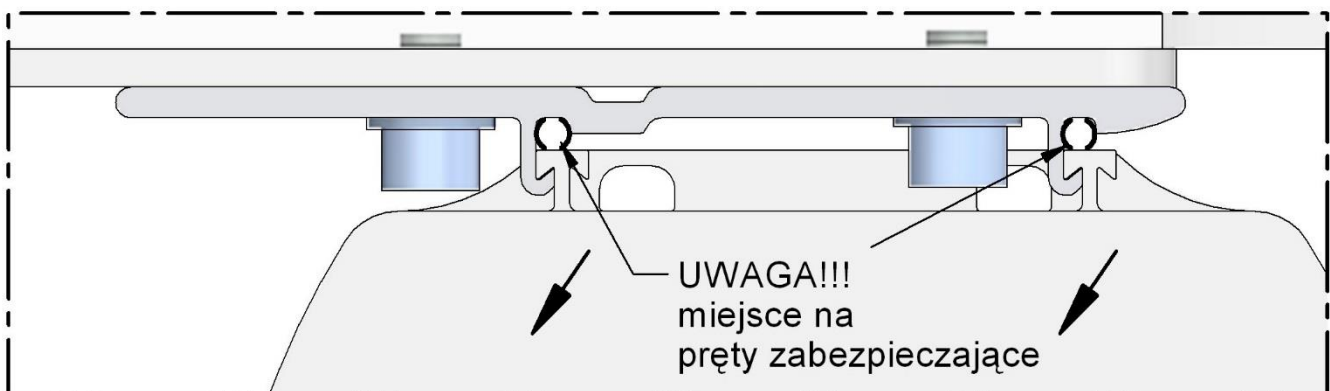


Figure 8

NOTE!
Grooves for insertion of the
safety/locking bars

6. Lock the suspended screen housing using the safety/locking bars by sliding them in the groove between the bracket and the housing. Figures 8, 9a and 9b show the insertion sequence and location.

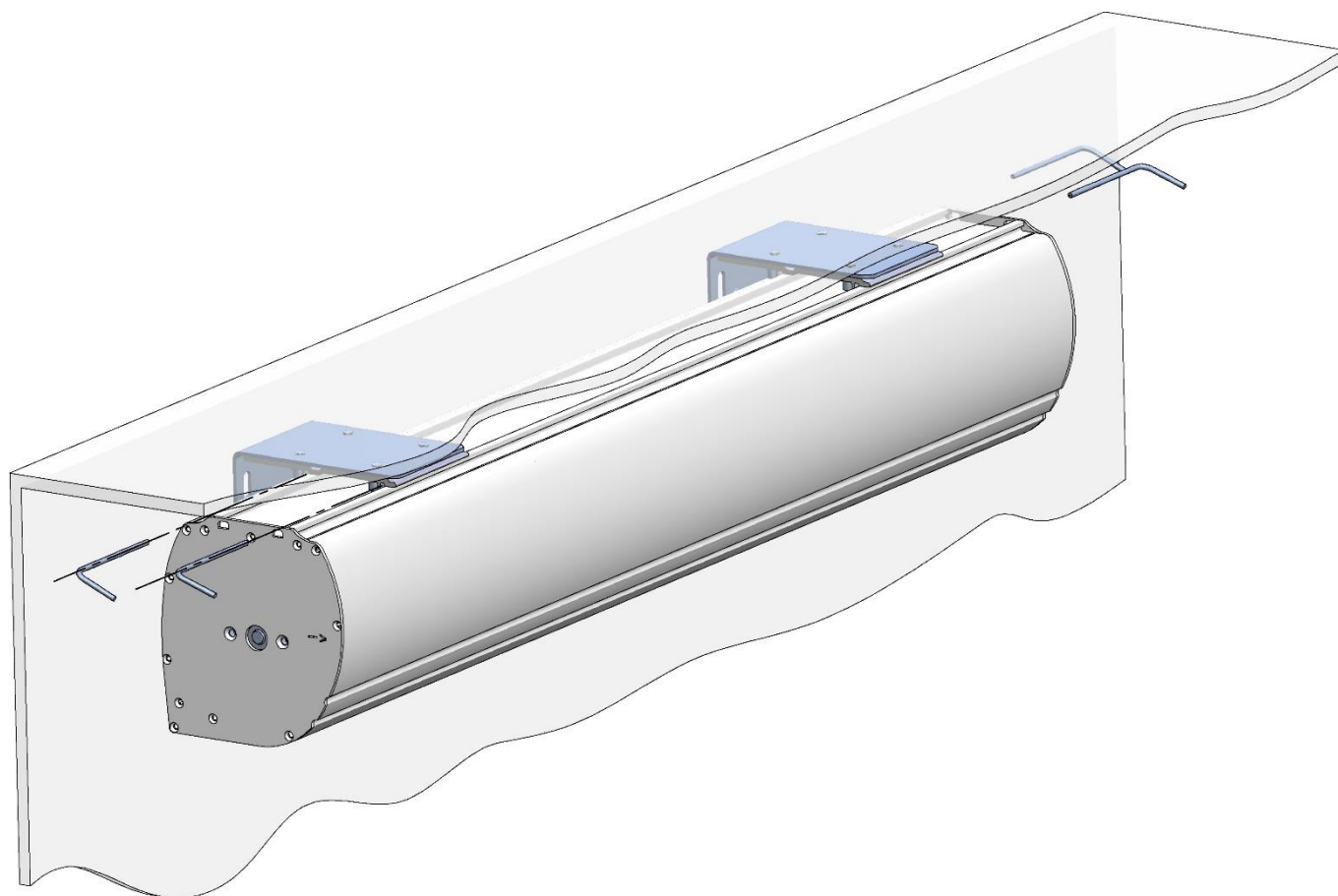


Figure 9a

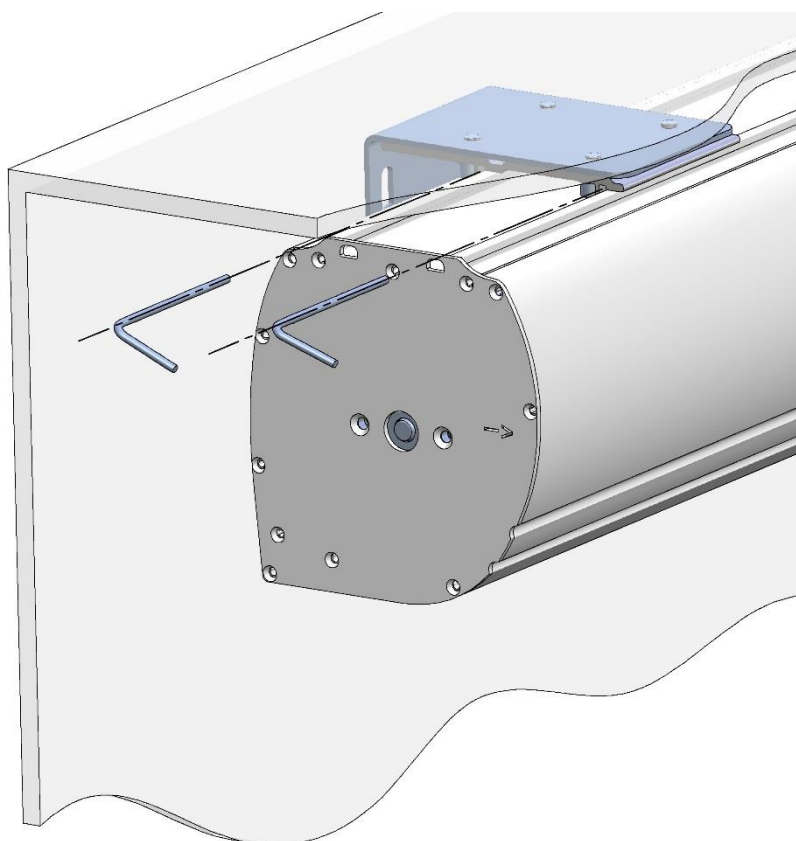


Figure 9b

7. Upon delivery, the screen is preset to the limit positions specified in the order. Shall the screen position be incorrect (too low or too high), the end-positions can be adjusted using the special key provided in the installation kit (Figure 10.).

NOTE! Only qualified persons may perform the end-position adjustments. All adjustments made shall be the sole responsibility of the user. Non-qualified adjustment of the mechanical settings may cause damage to the screen and shall void any guarantee claims.

Access to the end-position adjustment mechanism

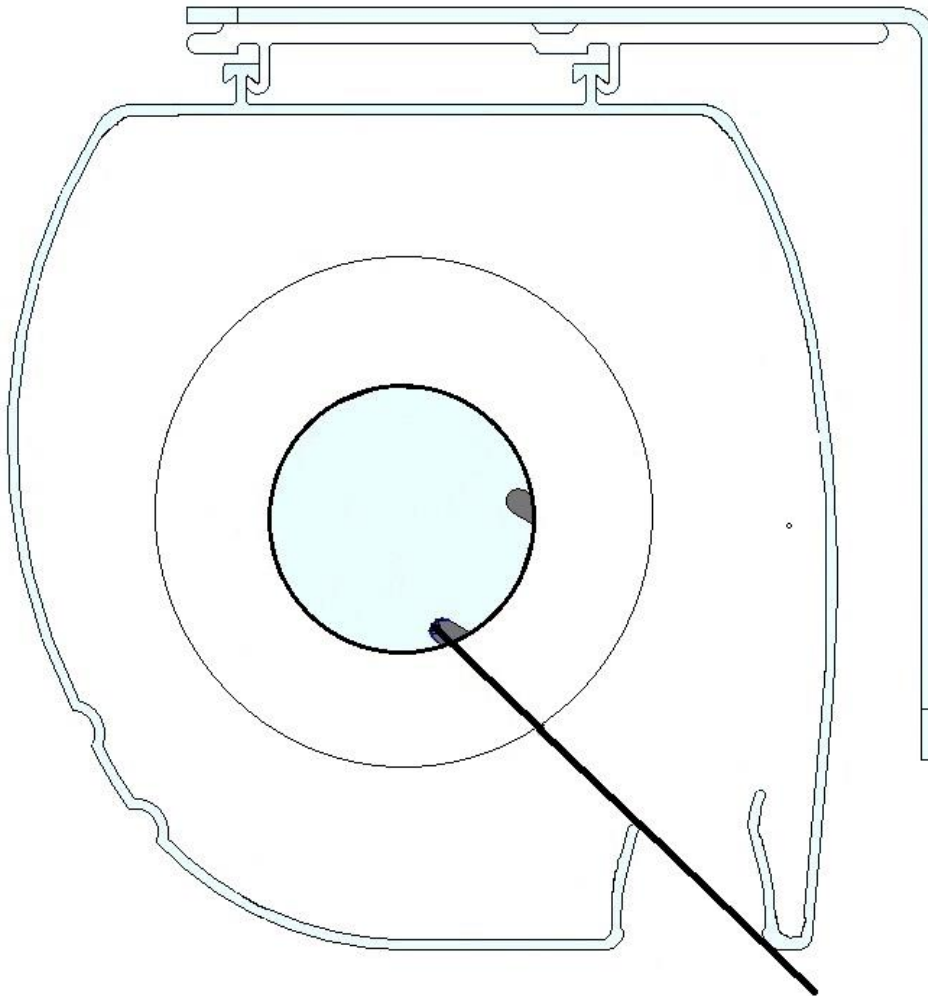


Figure 10

8. In the case of screens equipped with a side tensioning mechanism, unroll the whole surface of the screen. If necessary, adjust the tensioning force with an Allen key (screws on both sides of the lower bar).

NOTE!

Only certified electricians shall be allowed to make the electrical connections of the screen.

Before installing the main housing of the screen, route the power supply cable to the installation point and then connect it to the screen following wiring diagram A (Figure 11A) or wiring diagram B in case of screens with built-in wireless control modules (Figure 11B)..

WIRING DIAGRAM A

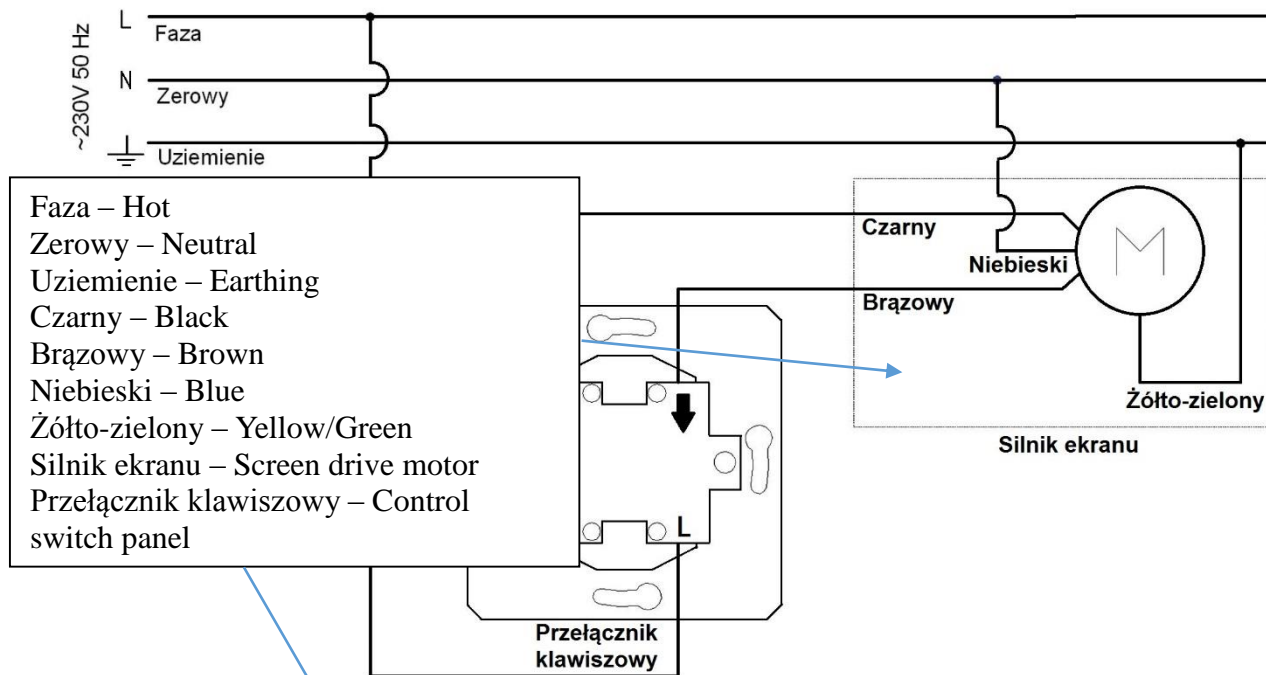


Figure 11A

WIRING DIAGRAM B (built-in wireless controller)

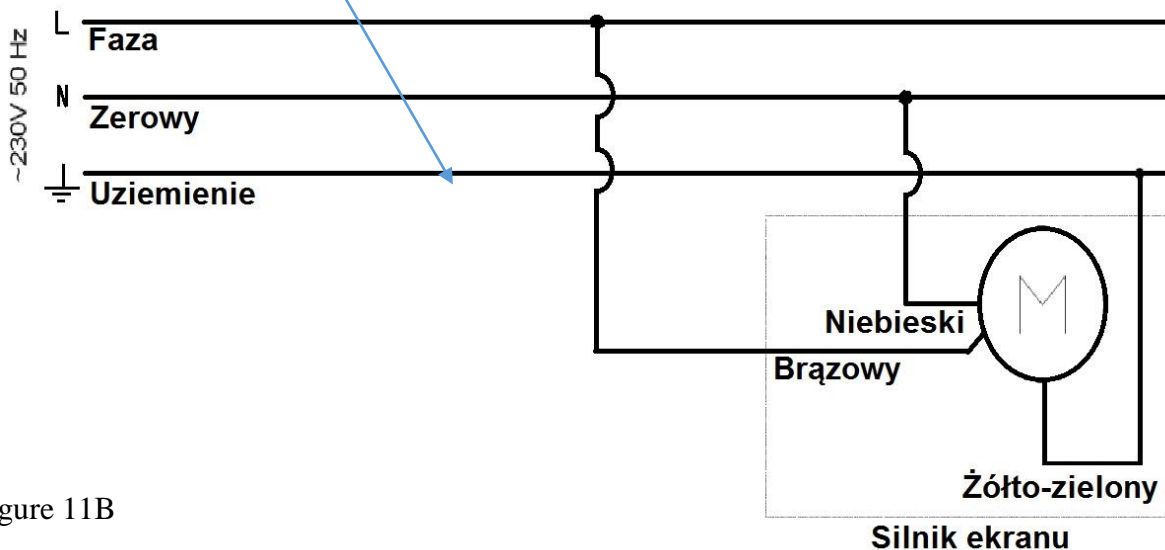


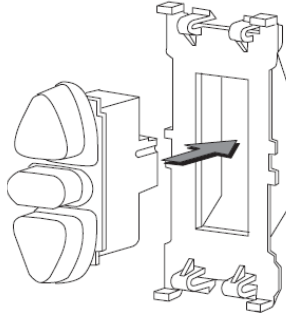
Figure 11B

Wiring of the control switch panel (provided in the kit)

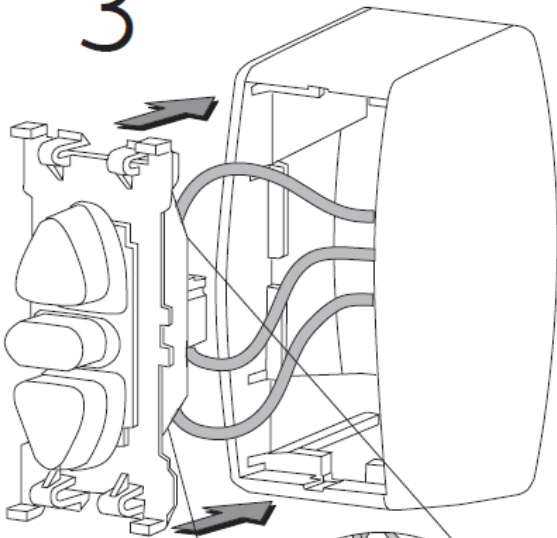
(Control switch panel provided in the screen installation kits without wireless controller)



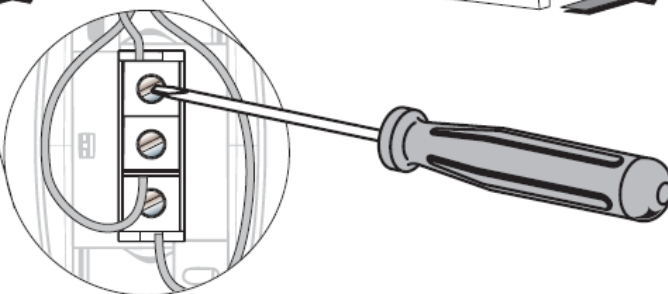
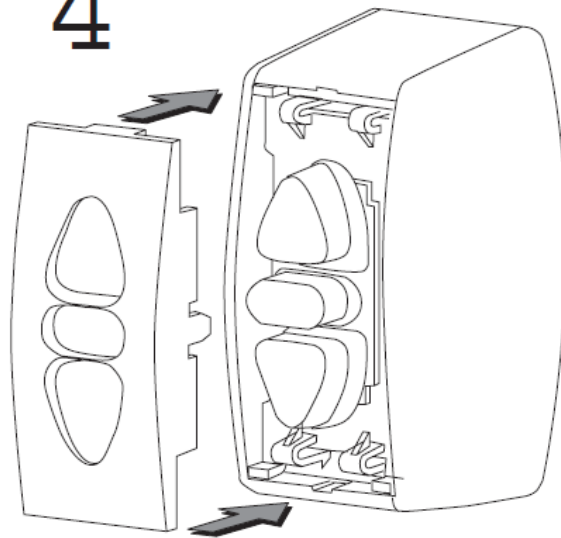
2



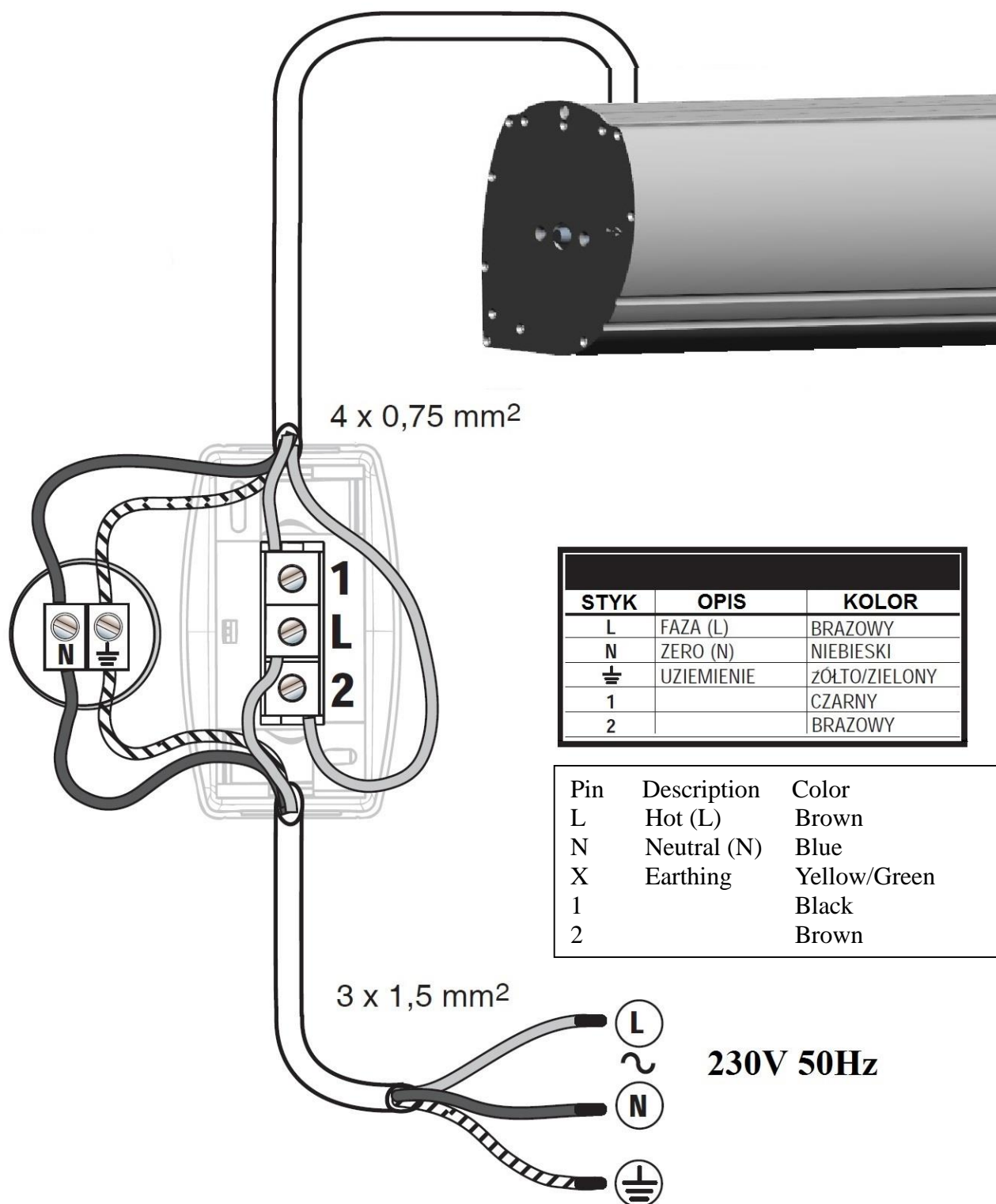
3



4

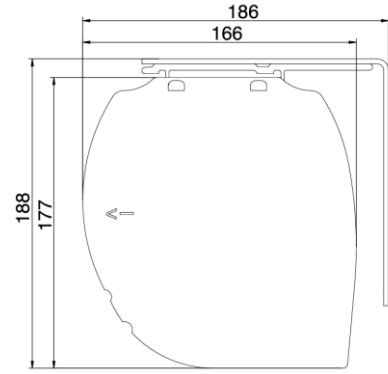


Wiring diagram of the screen control switch panel



TECHNICAL SPECIFICATIONS

Housing dimensions:



BLUE LABEL XL

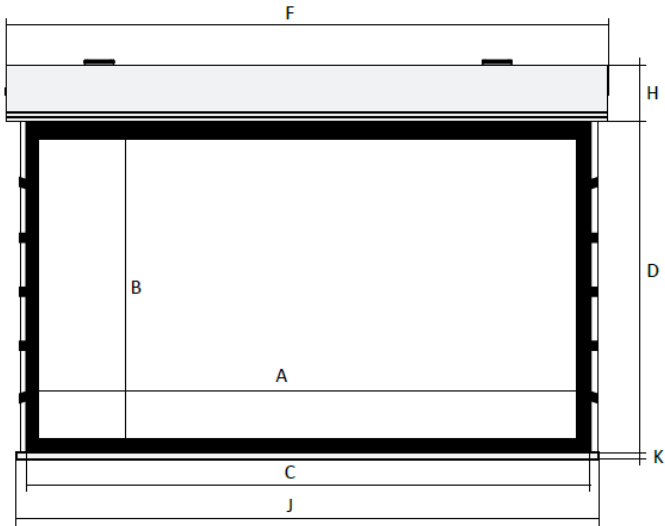
- A- Screen width
- B- Screen height
- $F = A + 96 \text{ mm}$
- $J = A + 40 \text{ mm}$
- $K = 50 \text{ mm}$

BLUE LABEL XL + BLACK FRAME

- A- Active screen width
- B- Active screen height
- $C = A + 100 \text{ mm}$
- $D = B + 100 \text{ mm}$
- $F = A + 196 \text{ mm}$
- $J = A + 140 \text{ mm}$
- $K = 50 \text{ mm}$

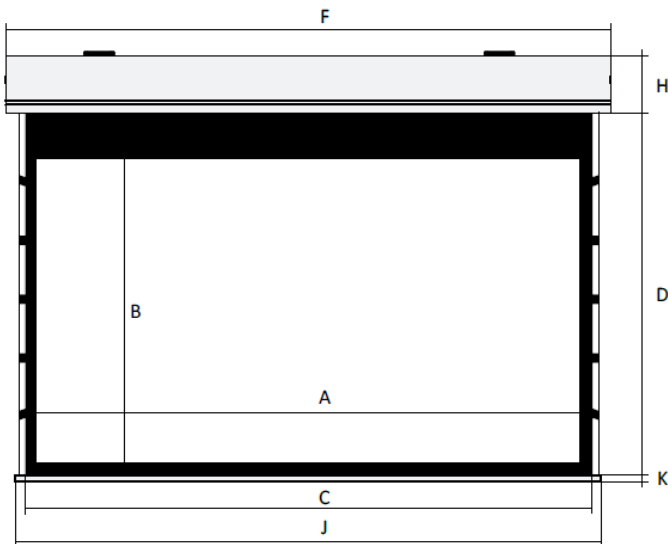
BLUE LABEL XL + BLACK FRAME + BLACK TOP

- A- Active screen width
- B- Active screen height
- $C = A + 100 \text{ mm}$
- $D = B + 50 \text{ mm} + \text{height of the black strip}$
- $F = A + 196 \text{ mm}$
- $J = A + 140 \text{ mm}$
- $K = 50 \text{ mm}$



BLUE LABEL XL + TENSIONERS

- A- Active screen width
- B- Active screen height
- $C = A + 100 \text{ mm}$
- $D = B + 100 \text{ mm}$
- $F = A + 326 \text{ mm}$
- $J = A + 270 \text{ mm}$
- $K = 50 \text{ mm}$



BLUE LABEL XL + TENSIONERS + BLACK TOP

- A- Active screen width
- B- Active screen height
- $C = A + 100 \text{ mm}$
- $D = B + 50 \text{ mm} + \text{height of the black strip}$
- $F = A + 326 \text{ mm}$
- $J = A + 270 \text{ mm}$
- $K = 50 \text{ mm}$

Technical specification:

Supply: 230V, 50Hz

Power rating: 140 W – screen without wireless control system

160W – screen with built-in wireless control system

Thank you for choosing a KAUBER screen
Feel free to purchase other products of the KAUBER brand